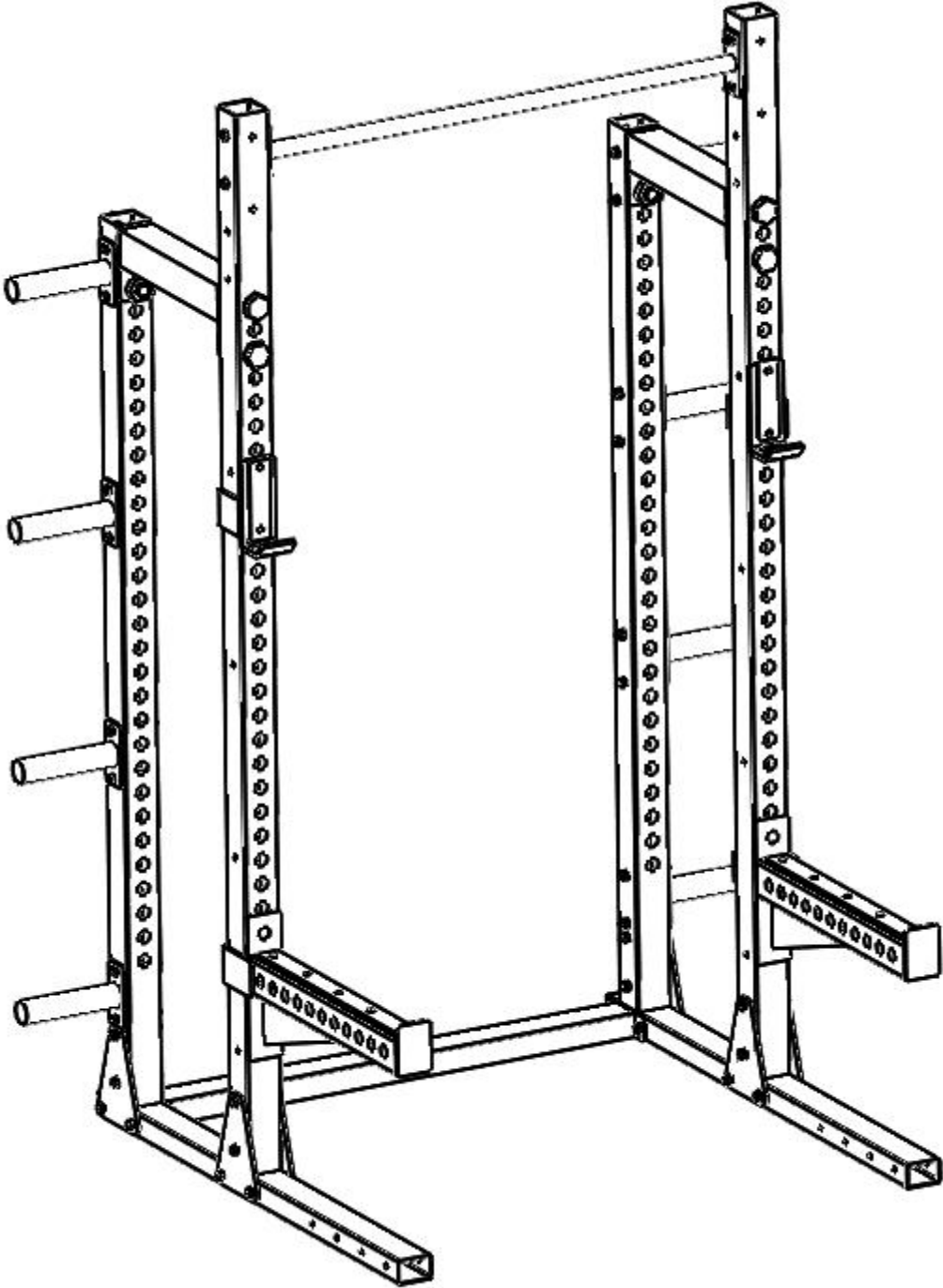


MULTIFUNCTIONAL POWER RACK



IMPORTANT SAFETY NOTICE

PRECAUTIONS

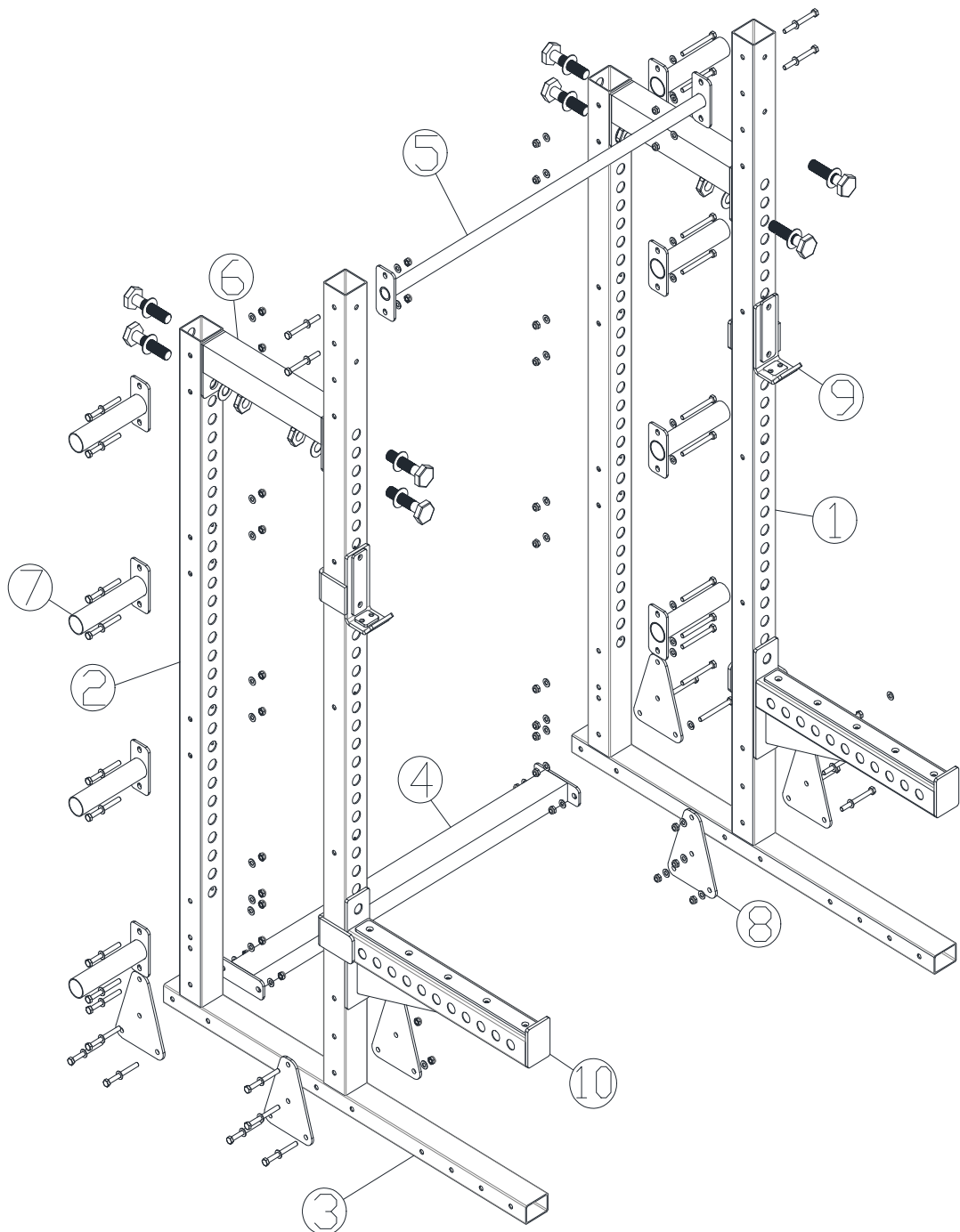
This exercise machine is built for optimum safety. However, certain precautions apply whenever you operate a piece of exercise equipment. Be sure to read the entire manual

before you assemble or operate your machine. In particular, note the following safety precautions:

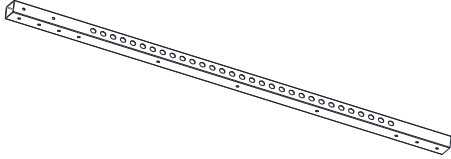
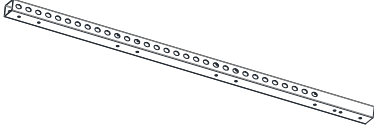
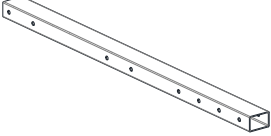
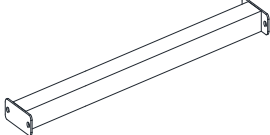
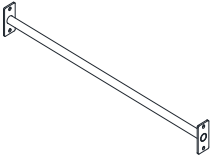
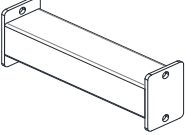
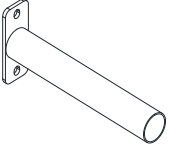
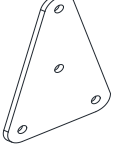

1. **Keep children and pets away from the machine at all times. DO NOT leave children unattended in the same room with the machine.**
2. Only one person at a time should use the machine.
3. If the user experiences dizziness, nausea, chest pain, or any other abnormal symptoms, **STOP** the workout at once. **CONSULT A PHYSICIAN IMMEDIATELY.**
4. Position the machine on a clear, leveled surface. **DO NOT** use the machine near water or outdoors.
5. Keep hands away from all moving parts.
6. Always wear appropriate workout clothing when exercising. **DO NOT** wear robes or other clothing that could become caught in the machine. Running or aerobic shoes are also required when using the machine.
7. Use the machine only for its intended use as described in this manual. **DO NOT** use attachments not recommended by the manufacturer.
8. Do not place any sharp object around the machine.
9. Disabled person should not use the machine without a qualified person or physician in attendance.
10. Before using the machine to exercise, always do stretching exercises to properly warm up.
11. Never operate the machine if the machine is not functioning properly.

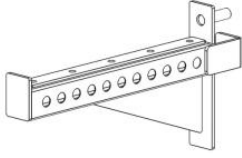
WARNING: BEFORE BEGINNING ANY EXERCISE PROGRAM, CONSULT YOUR PHYSICIAN. THIS IS ESPECIALLY IMPORTANT FOR INDIVIDUALS OVER THE AGE OF 35 OR PERSONS WITH PRE-EXISTING HEALTH PROBLEMS. READ ALL INSTRUCTIONS BEFORE USING ANY FITNESS EQUIPMENT. WE ASSUME NO RESPONSIBILITY FOR PERSONAL INJURY OR PROPERTY DAMAGE SUSTAINED BY OR THROUGH THE USE OF THIS PRODUCT. SAVE THESE INSTRUCTIONS.

- ① Upright
- ② Plate Holder Upright
- ③ Bottom Tube
- ④ Bottom Beam
- ⑤ Pull-up Bar
- ⑥ Side Bracket
- ⑦ Barbell Base
- ⑧ Connecting Plate
- ⑨ J Hook
- ⑩ Bar Catch



PARTS LIST

PART NO.	DESCRIPTION	SIZE	QUANTITY
1	Upright		2
2	Plate Holder Upright		2
3	Bottom Tube		2
4	Bottom Beam		1
5	Pull-up Bar		1
6	Middle Beam		2
7	Plate Holder		8
8	ConnectingPlate		6
9	J Hook		2

10	Bar Catch		2
11	Bolt A	M24×120	8
12	Bolt B	M10×100	36
13	Washer A	M26	12
14	Nut A	M24	4
15	Washer B	M10	72
16	Nut B	M10	36